

# Pressure Reducing Valve



VPR series

## Features

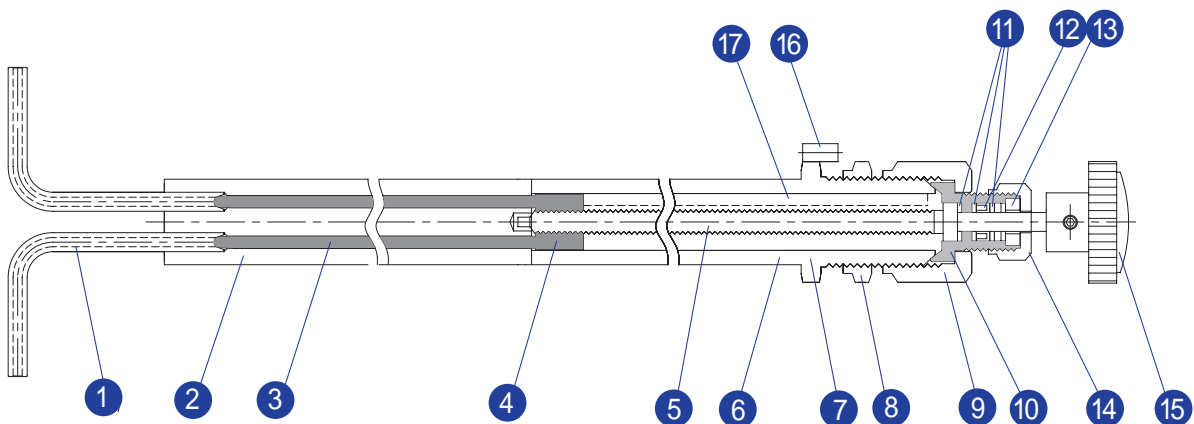
- No Plugging
- Easy Cleaning & Maintaining
- Simple adjusting under various pressure conditions
- No corrosion

## Specification

- Max Operating Temperature : 50°C(122°F)~149°C(300°F)
- Max Operating Pressure : 5000psi at 149°C(300°F)
- Sample Flow Range : 150ml/min~4000ml/min
- Pressure Reducing Range : 5~5000 psi
- Installation : Panel Mounting
- Connection : Tube, Socket Weld, 37° Flare & Elbow



## Materials of Construction

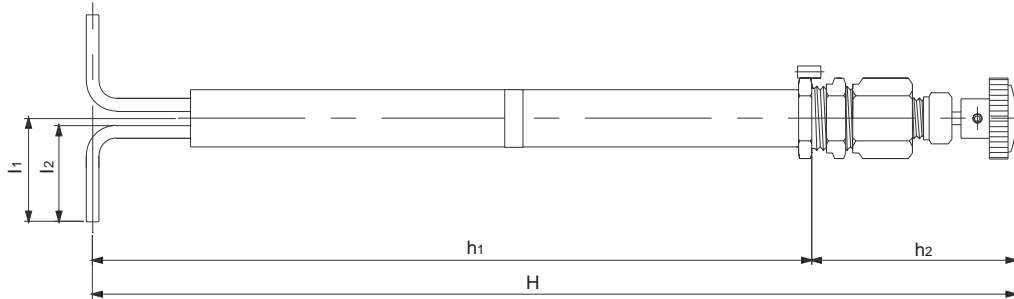


| No. | Description | Materials | No. | Description     | Materials  | No. | Description   | Materials |
|-----|-------------|-----------|-----|-----------------|------------|-----|---------------|-----------|
| 1   | Tube        | 316SS     | 7   | Bushing Body    | 304SS      | 13  | Spindle Gland | Brass     |
| 2   | Seat Body   | 304SS     | 8   | Panel Nut       | 304SS      | 14  | Spindle Nut   | 316SS     |
| 3   | Long Stem   | 316SS     | 9   | Body Nut        | 316SS      | 15  | Handle        | Xenoy     |
| 4   | Stem Holder | 316SS     | 10  | Spindle Bushing | 316SS      | 16  | Loader        | 304SS     |
| 5   | Spindle     | 316SS     | 11  | Gasket Ring     | Brass/PTFE | 17  | Holder Loader | 304SS     |
| 6   | Middle Body | 304SS     | 12  | Packing Seal    | PTFE       |     |               |           |

## Application

In modern power generation plants & general industrial boilers, chemical analysis of water and steam samples requires precise control of flow and pressure. High pressure reduction occurs unique sampling problems.

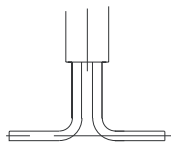
Uni-Lok SPRV series is a valve specially designed to solve these kinds of problems.



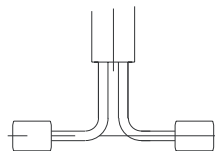
## Ordering Information & Dimensions

| Part Number | End Connection        | Dimensions (mm) |       |       |      |      |
|-------------|-----------------------|-----------------|-------|-------|------|------|
|             |                       | H               | h1    | h2    | l1   | l2   |
| VPR         | 04T- 1/4" Uni-Lok     | 461.0           | 359.0 | 102.0 | 51.6 | 48.0 |
|             | 04P- 1/4" Tube SW     |                 |       |       |      |      |
|             | 04F- 1/4" 37°Flare    |                 |       |       |      |      |
|             | 04E- 1/4" Union Elbow |                 |       |       |      |      |

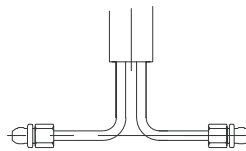
## End Connection Type



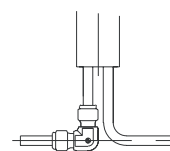
Tube



Tube  
Socket Weld



37°Flare



Union Elbow  
to Tube

## Important Notification

Proper installation, materials compatibility, operation and maintenance of these valves are the responsibility of the user. The total system design must be taken into consideration to ensure optimal performance and safety.



CONNECTS THE WORLD SINCE 1984 [www.unilok.com](http://www.unilok.com)

**본사 및 제1공장**  
 인천광역시 남동구 고잔동 725-13번지  
 남동공단 152블럭 12롯데 ☎ 405-822  
 전화 : 032-822-6600  
 팩스 : 032-822-6604

**제2공장**  
 인천광역시 남동구 고잔동 684-7번지  
 남동공단 114블럭 8롯데 ☎ 405-818  
 전화 : 032-433-6601  
 팩스 : 032-441-7600

**Headquarters & 1<sup>st</sup> Factory**  
 152 Block-12 Lot, Namdong Indus-Park, 725-13,  
 Gojan-Dong, Namdong-Gu, Incheon, Korea  
 Tel : +82-32-821-6673  
 Fax : +82-32-822-6604

**2<sup>nd</sup> Factory**  
 114 Block-8 Lot, Namdong Indus-Park, 684-7,  
 Gojan-Dong, Namdong-Gu, Incheon, Korea  
 Tel : +82-32-433-6601  
 Fax : +82-32-441-7600