



# Bleed Valves

VL series

## Features

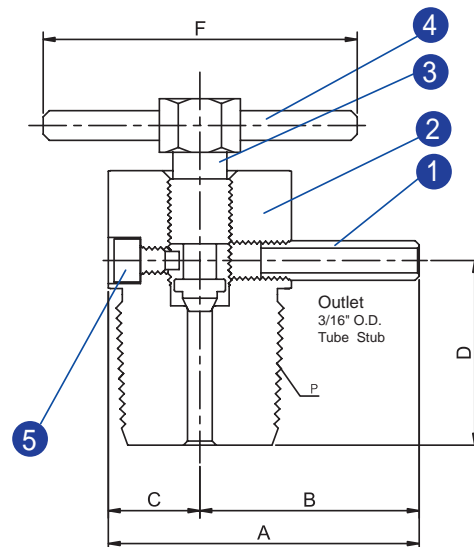
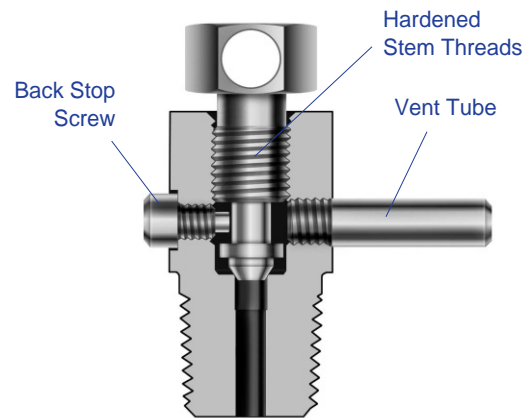
- Pressure rating up to 10000psig (689bar) @38°C (100°F)
- Temperature rating from -53°C(-65°F) to 454°C (850°F) with 316SS
- Hardened stem threads and stem for long cycle life
- Back stop screw prevents accidental stem back-out
- Vent tube directs excess liquid or gas from system lines

## Application

Using with Uni-Lok Manifolds Valves or Gauge/Root Valves not only to vent before disassemble of instrument device but also to calibrate control device easily

## Materials of Construction

No.	Description	Materials
1	Vent Tube	316SS
2	Body	316SS
3	Stem	316SS
4	Handle(Optional)	304SS
5	Back Stop Screw	316SS



## Ordering Information & Dimensions

Part Number	End Connection	Dimensions (mm)					
		A	B	C	D	F	
VL	M-02N	1/8" Male NPT	34.0	23.9	10.4	19.1	51.8
	M-04N	1/4" Male NPT					
	M-06N	3/8" Male NPT	37.3	26.2	11.2	22.4	
	M-08N	1/2" Male NPT					

Bar Handle : add -B, VLMN-08N-B-SS

Barbed Vent Tube : add -V, VLMN-04N-V-SS

## Important Notification

Proper installation, materials compatibility, operation and maintenance of these valves are the responsibility of the user. The total system design must be taken into consideration to ensure optimal performance and safety.



CONNECTS THE WORLD SINCE 1984 [www.unilok.com](http://www.unilok.com)

### 본사 및 제1공장

인천광역시 남동구 고잔동 725-13번지  
 남동공단 152블럭 12롯데 ☎ 405-822  
 전화 : 032-822-6600  
 팩스 : 032-822-6604

### 제2공장

인천광역시 남동구 고잔동 684-7번지  
 남동공단 114블럭 8롯데 ☎ 405-818  
 전화 : 032-433-6601  
 팩스 : 032-441-7600

### Headquarters & 1<sup>st</sup> Factory

152 Block-12 Lot, Namdong Indus-Park, 725-13,  
 Gojan-Dong, Namdong-Gu, Incheon, Korea  
 Tel : +82-32-821-6673  
 Fax : +82-32-822-6604

### 2<sup>nd</sup> Factory

114 Block-8 Lot, Namdong Indus-Park, 684-7,  
 Gojan-Dong, Namdong-Gu, Incheon, Korea  
 Tel : +82-32-433-6601  
 Fax : +82-32-441-7600